

A distinctive quality range of panel mounting single LED indicators.

**Standard Specification**

**Housings:** Nickel plated brass  
Black optional  
**Input:** Voltages set by in-built resistor

LMR12



LMR10



LMR6



209

**Product Code Make-up**

Body / Voltage / Terminals / Colour  
 e.g. LMR10/24DC/6/R

		Body	Voltage	Terminals	Colour	Body	Voltage	Terminals	Colour	Body	Voltage	Terminals	Colour
<b>Panel Hole Diameter</b>		12.7mm (1/2")				9.5mm (3/8")				6.4mm (1/4")			
<b>Concave Bezel</b>		✓	LMR12			✓	LMR10			✓	LMR6		
<b>Supply Volts</b>	<b>AC</b>	12	✓	12AC		✓	12AC			✓	12AC		
		24	✓	24AC		✓	24AC			✓	24AC		
		50	✓	50AC		N/A				N/A			
	<b>DC</b>	110	✓	110AC		N/A				N/A			
		12	✓	12DC		✓	12DC			✓	12DC		
		24	✓	24DC		✓	24DC			✓	24DC		
	50	✓	50DC		N/A				N/A				
<b>Terminals</b>	<b>Wire Ends</b>	N/A			✗	✓		6	✓			6	
	<b>Flying Leads</b>	✓			3	✓		3	✓			3	
<b>LED Colour</b>	<b>Amber</b>	✓			A	✓			A	✓			A
	<b>Green</b>	✓			G	✓			G	✓			G
	<b>Red</b>	✓			R	✓			R	✓			R
	<b>Blue</b>	✓			B	✓			B	✓			B
	<b>White</b>	✓			W	✓			W	✓			W

**Flying Lead Colour Codes** 12VAC = black/blue, 24VAC = black/orange, 50VAC = black/black, 110VAC = black/white  
6VDC = red(+)/black, 12VDC = red(+)/blue, 24VDC = red(+)/orange, 50VDC = red(+)/white

<b>Dimensions</b>		LMR12	LMR10	LMR6
<b>Weights g</b>		<p>LMR12/Voltage/3 (LEADS approx 290mm long)</p>	<p>LMR10/Voltage/6 (WIRE END)</p>	<p>LMR6/Voltage/6 (WIRE END)</p>
			<p>LMR10/Voltage/3 (LEADS approx 290mm long)</p>	<p>LMR6/Voltage/3 (LEADS approx 290mm long)</p>

<b>Options</b>			
<b>IP65</b>	Add seals - Specify: "IP65"	Not available	Not available
<b>Black</b>	Black epoxy coating available on all bodies. Specify: "Black"		
<b>Ultra Bright</b>	Ultra Bright Diodes can be fitted on all sizes. Specify: "Ultra Bright"		
<b>Special Volts</b>	Non-standard supply voltages will be considered on application.		

LMU/MES/2  
LMU/MBC/2

## Low Voltage Indicator Legend Plates

**Tranilamp** www.tranilamp.co.uk

Product Data Sheet 209/2 Issue 3

A low direct voltage, low cost range of lamp holders with changeable lenses and lamps.

### Standard Specification

- Housings:** Nickel plated brass.  
See Data Sheet 200 for full range
- Terminations:** Solder Tabs .187 (5mm).
- Lamps:** Filament, LEDs and neons MES or MBC optional.  
See Data Sheet 201  
Lamps are changed from the front.



209

### Product Code Make-up Housing/Body/Lamp/Terminals/Colour

eg MHA/LMU/24V MES/2/R	Housing	Body	Lamp	Terminals	Colour
MH Housing c.w. MA Lens	MHA				
Body Only		LMU			
Lamps only supplied as extras. Select any type from Data Sheet 201 and enter its Product Code Maximum Voltage: 240V AC - (neons only)			Product Code of lamp see Data Sheet 201		
If no lamp required specify Cap type.		MES	MES		
	Optional	MBC	MBC		
Terminations	Solder Tabs .187 (5mm)			2	

A = Amber  
B = Blue  
G = Green  
R = Red  
C = Clear  
W = White

### Options

BA9s Miniature Bayonet  
Cap - MBC available.  
Specify as above.

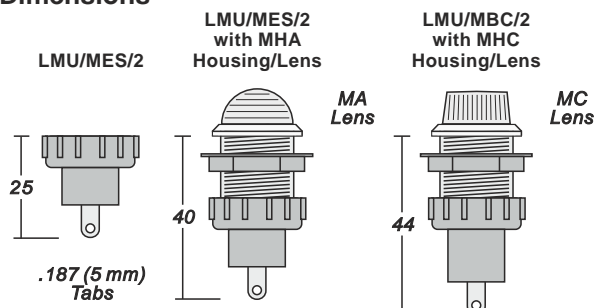
All LMU/MES/2 and LMU/MBC/2  
bodies will fit any housing on  
Data Sheet 200.

### Weight

g

MHA/LMU/MES/2	21
MHC/LMU/MES/2	21
LMU/MES/2	4
MBC same weight	

### Dimensions



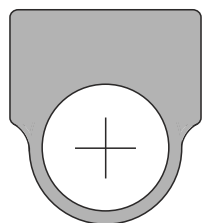
### Examples:-

- MHC/LMU/LED7R 24AC MES/2/R
- LMU/MES/2
- MHA/LMU/24V 1.2W MBC/2/W

## LEGEND PLATES

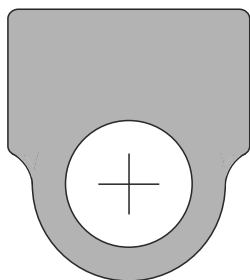
Black Anodised Aluminium - Engraved to order. For H Series Housings

35



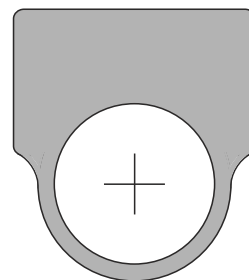
MHLPLP - 19mm  
FHLP - 22.5mm

45



FHLPLG - 22.5mm

45



LHLP - 26.5mm  
DHLP - 30.5mm